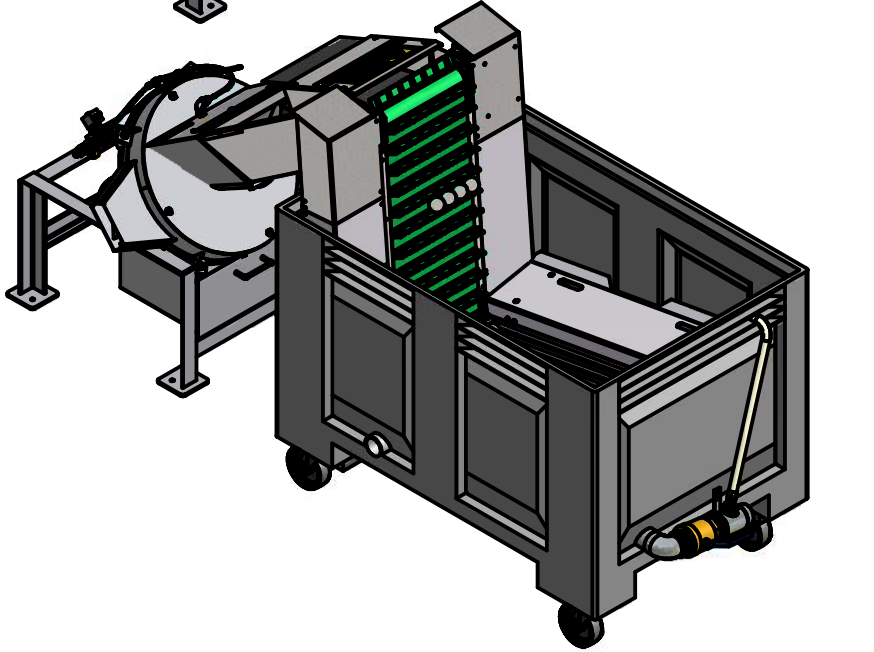
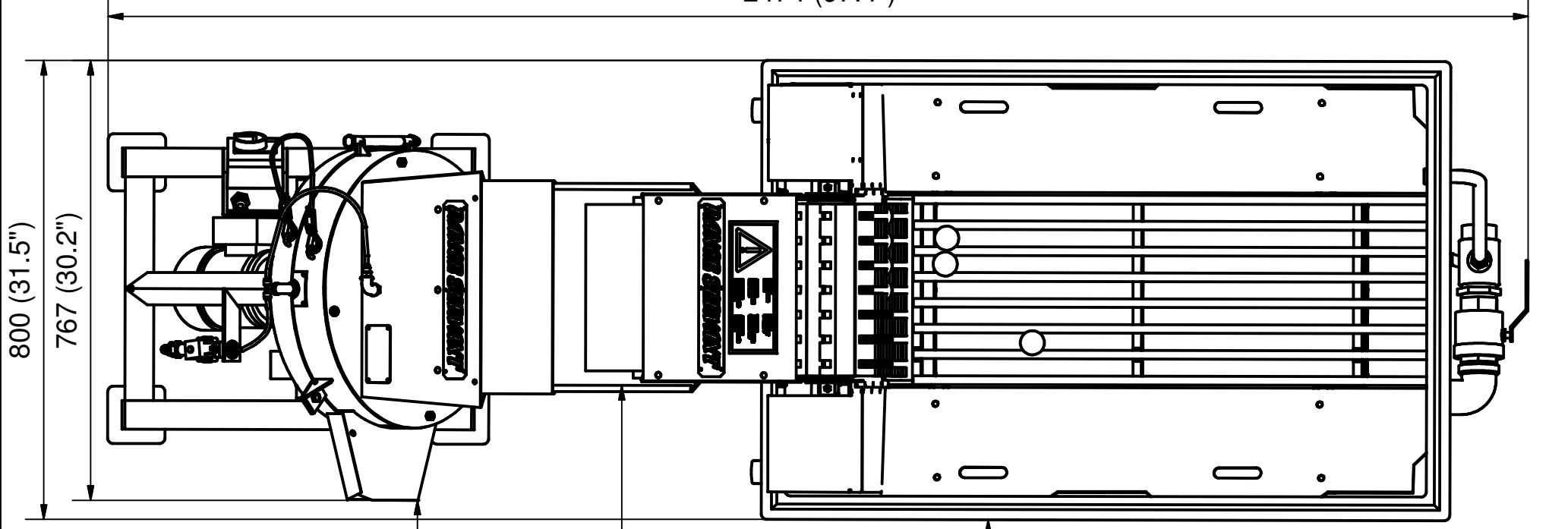
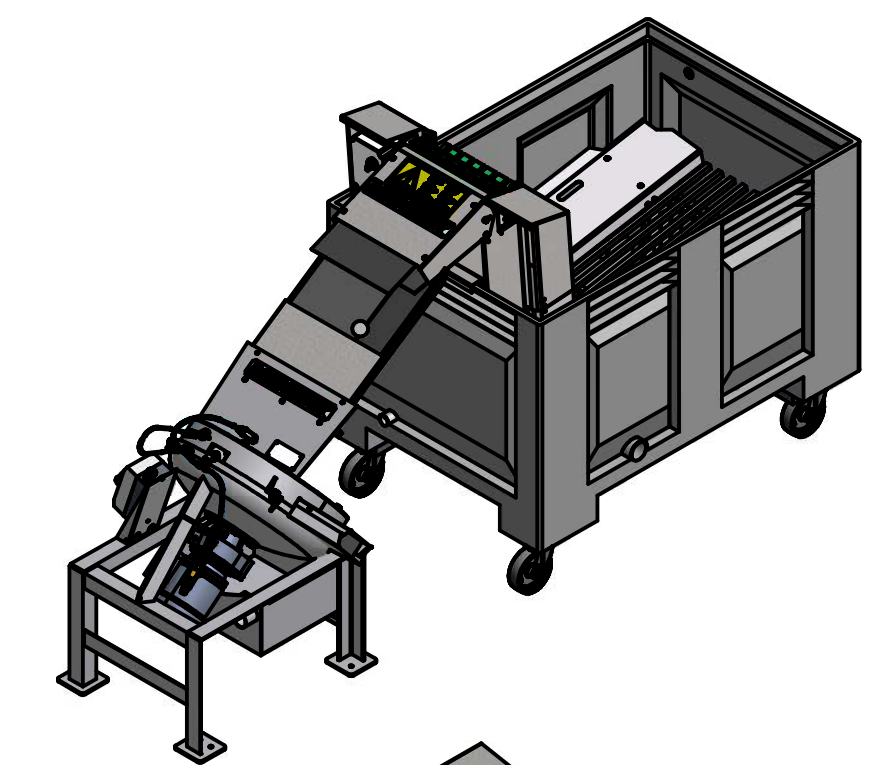
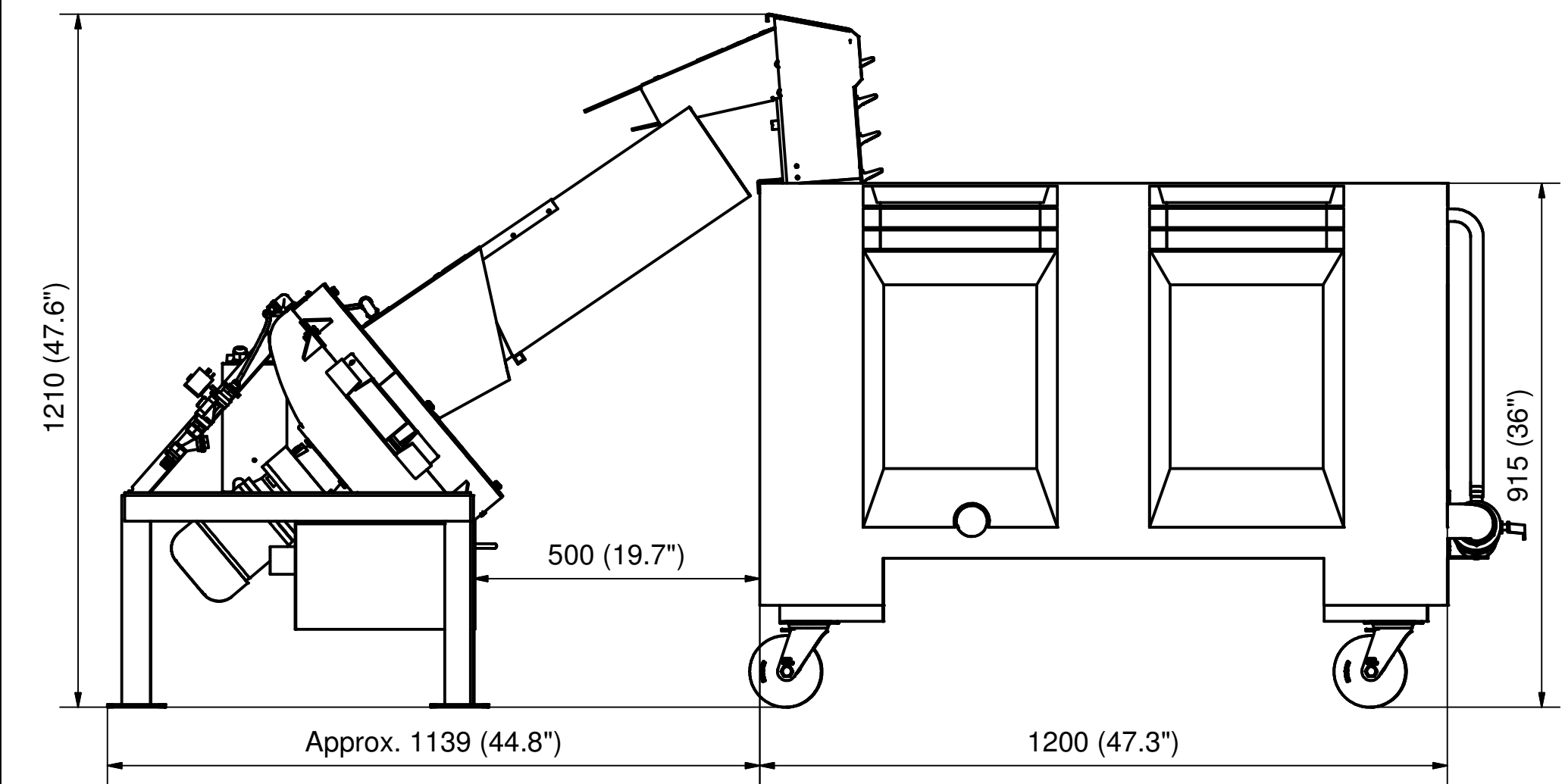


This drawing remains our property and should not be copied without our written allowance. Nor it is permitted to show or give this to a third person. Contravention will be prosecuted with the support of the existing law.

Rev	Amandment	Date	Inf.	App.
-----	-----------	------	------	------



3

2

1

1	1	Soaker 4000			Draw.Nr.: WIM0004		
2	1	Ball Tray for Soaker 4000			Draw.Nr.: WIM0056		
3	1	BT-1950 without ball tray			220000		
Part No.	Quant.	Name	Material	Dimension	Remark		
Designed FD	Drafted FD	Checked	Approved	Scale 1:10	Date 2006-10-05	Tolerance ISO 2768-m, unless otherwise indicated.	Replaces Replaced With
RANGE SERVANT		SOAKER 4000 WITH BT-1950			Drawing No.		
SKALLEBACKAVÄGEN 11 SE-302 41 HALMSTAD, SWEDEN		SOAKER 4000					
					Soaker		